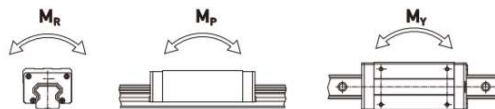
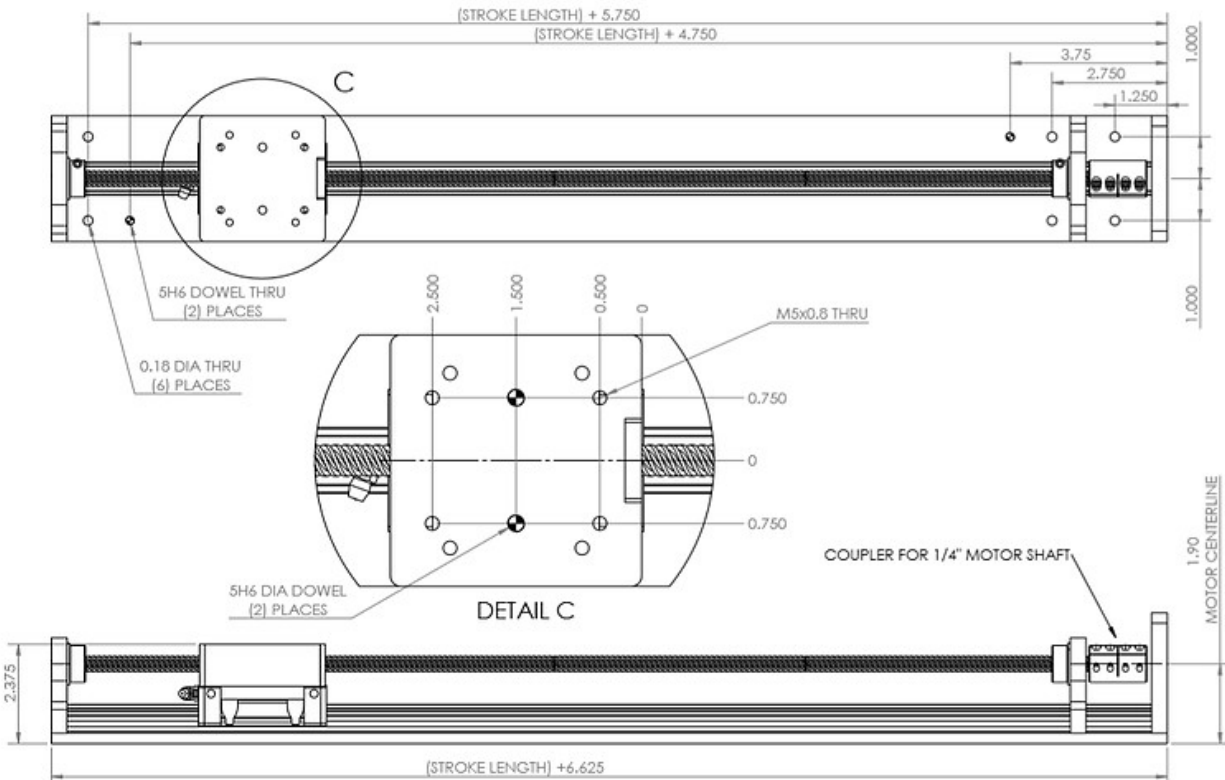


# Light Duty Actuator Size 20



- STEEL FAST TWIST ACME LEAD SCREW,
  - 1 ROTATION = .250", 2 STARTS
  - 1 ROTATION = .500", 4 STARTS
  - DELRIN ANTI-BACKLASH NUT
- LINEAR BALL BEARING GUIDANCE
- CUSTOM STROKE LENGTHS
  - MINIMUM 7"
  - MAXIMUM 31"
- NEMA 17, OR 23 MOTOR MOUNTS
- STANDARD OR CUSTOM MOUNTING HOLE LOCATIONS AT NO ADDITIONAL CHARGE
- DOWEL HOLES FOR PRECISE MOUNTING



STATIC RATED MOMENT					
$M_R$		$M_P$		$M_Y$	
kN-m	FT-LBS	kN-m	FT-LBS	kN-m	FT-LBS
0.27	199.14	0.20	147.51	0.20	147.51